
FnIO G – Series :

GT-4218

GT-4218 (8 Channels, Current Output, 4~20mA, 12bit)

Specification

Table of Contents

Table of Contents.....	2
History.....	3
1.ENVIRONMENT SPECIFICATION.....	4
2.GT-4218 (8 CHANNELS CURRENT OUTPUT, 4~20mA, 12BIT).....	5
2.1.GT-4218 Specification.....	5
2.2.GT-4218 Wiring Diagram.....	6
2.3.GT-4218 LED Indicator.....	7
2.3.1.LED Indicator.....	7
2.3.2.Channel Status LED.....	7
2.3.3.Data value / Current.....	7
2.4.Mapping data from the image table.....	8
2.5.Parameter Data.....	9

History

REV.	PAGES	REMARKS	DATE	Editor
1.00	9	New Document	Mar 00, 2019	Soyeong, Park
1.01	5	Changed Load Resistance Value	June 21, 2019	Soyeong, Park

Specification

1. ENVIRONMENT SPECIFICATION

Environmental specification	
Operating Temperature	-40℃~60℃
UL Temperature	-20℃~60℃
Storage Temperature	-40℃~85℃
Relative Humidity	5% ~ 90% non-condensing
Mounting	DIN rail
General specification	
Shock Operating	IEC 60068-2-27
Vibration Resistance	Based on IEC 60068-2-6 Sine Vibration 5 ~ 25Hz : 1.6mm 25 ~ 300Hz : 4g Sweep Rate : 1 Oct/min, 20 cycles Random Vibration 10 ~ 40Hz : 0.0125g ² /Hz 40 ~ 100Hz : 0.0125 → 0.002g ² /Hz 100 ~ 500Hz : 0.002g ² /Hz 500 ~ 2000Hz : 0.002 → 1.3 x 10 ⁻⁴ g ² /Hz Test time : 1hrs for each test
EMC Resistance Burst/ESD	EN 61000-6-2 : 2005 EN 61000-6-4/A11 : 2011
Installation Pos. / Protect. Class	Variable/IP20
Product Certifications	CE, UL

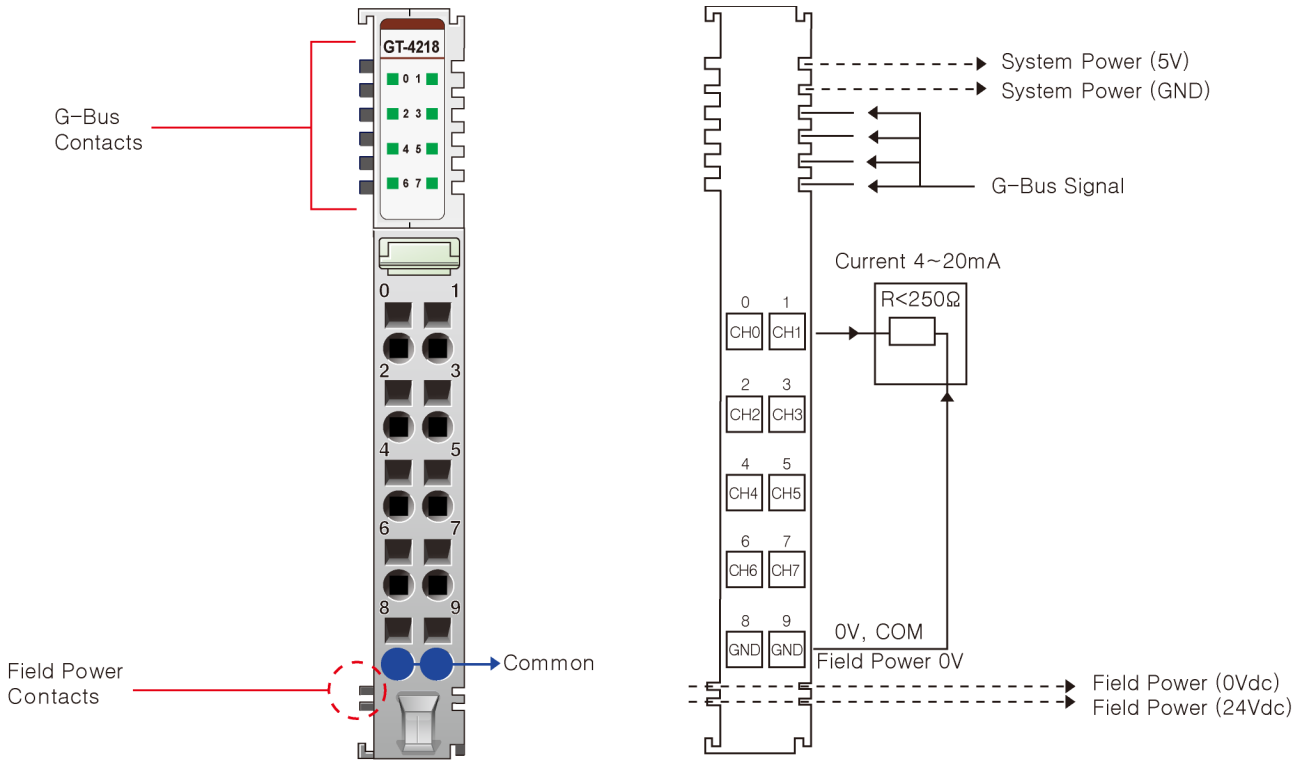
Specification

2. GT-4218 (8 CHANNELS CURRENT OUTPUT, 4~20mA, 12BIT)

2.1. GT-4218 Specification

Items	Specification
Output Specification	
Outputs per module	8 Channels single ended
Indicators(Logic side)	8 Green Output status
Resolution in Ranges	12 bits : 3.91uA/Bit
Output Range	4~20mA
Data Format	16bits Integer (2' compliment)
Module Error	±0.1% Full Scale @ 25°C ±0.3% Full Scale @ -40°C, 60°C
Load Resistance	< 200Ω
Dignostic	Field Power Off : LED Blinking Field Power On : Output LED ON
Conversion Time	Max. 250usec / All channel
Calibration	Not Required
Common Type	2 Common, Field Power 0V is Common(AGND)
General Specification	
Power dissipation	Max. 30mA @ 5.0Vdc
Isolation	I/O to Logic : Photocoupler isolation Field power : Non-Isolation
Field Power	Supply Voltage : 24Vdc nominal Voltage Range : 18~32Vdc Power Dissipation : Max. 130mA @ 24Vdc
Wiring	I/O Cable Max. 2.0mm ² (AWG 14)
Weight	58g
Module Size	12mm x 99mm x 70mm
Environment Condition	Refer to 'Environment Specification'

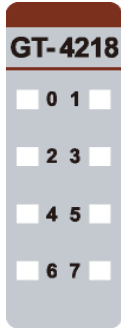
2.2. GT-4218 Wiring Diagram



Pin No.	Signal Description	Signal Description	Pin No.
0	Analog Output Channel 0	Analog Output Channel 1	1
2	Analog Output Channel 2	Analog Output Channel 3	3
4	Analog Output Channel 4	Analog Output Channel 5	5
6	Analog Output Channel 6	Analog Output Channel 7	7
8	Output Channel Common(AGND)	Output Channel Common(AGND)	9

2.3. GT-4218 LED Indicator

2.3.1. LED Indicator



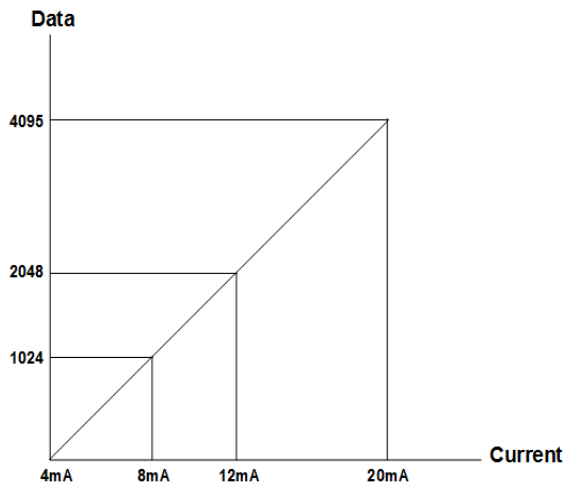
LED No.	LED Function / Description	LED Color
0	Output Channel 0	Green
1	Output Channel 1	Green
2	Output Channel 2	Green
3	Output Channel 3	Green
4	Output Channel 4	Green
5	Output Channel 5	Green
6	Output Channel 6	Green
7	Output Channel 7	Green

2.3.2. Channel Status LED

Status	LED	To indicate
Normal Operation	Green	Normal Operation
Field Power Error	All Channel Repeat the Green and Off	Field power is unconnected.

2.3.3. Data value / Current

Current	4.0mA	8.0mA	12.0mA	20.0mA
Data(Hex)	H0000	H0400	H0800	H0FFF

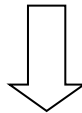


Specification

2.4. Mapping data from the image table

- **Output Image Value**

Bit No	Bit7	Bit6	Bit5	Bit4	Bit3	Bit2	Bit1	Bit0
Byte 0	Analog Output Ch0 Low byte							
Byte 1	Analog Output Ch0 High byte							
Byte 2	Analog Output Ch1 Low byte							
Byte 3	Analog Output Ch1 High byte							
Byte 4	Analog Output Ch2 Low byte							
Byte 5	Analog Output Ch2 High byte							
Byte 6	Analog Output Ch3 Low byte							
Byte 7	Analog Output Ch3 High byte							
Byte 8	Analog Output Ch4 Low byte							
Byte 9	Analog Output Ch4 High byte							
Byte 10	Analog Output Ch5 Low byte							
Byte 11	Analog Output Ch5 High byte							
Byte 12	Analog Output Ch6 Low byte							
Byte 13	Analog Output Ch6 High byte							
Byte 14	Analog Output Ch7 Low byte							
Byte 15	Analog Output Ch7 High byte							



- **Output Module Data -16byte Output Data**

Analog Output Ch0
Analog Output Ch1
Analog Output Ch2
Analog Output Ch3
Analog Output Ch4
Analog Output Ch5
Analog Output Ch6
Analog Output Ch7

Specification

2.5. Parameter Data

- **Valid Parameter length: 4 Bytes**
- **Parameter Data**

Bit No	Bit7	Bit6	Bit5	Bit4	Bit3	Bit2	Bit1	Bit0
Byte0	Fault Action for channel 3		Fault Action for channel 2		Fault Action for channel 1		Fault Action for channel 0	
	00: Fault Value 01: Hold last state 10: Low Limit 11:High Limit							
Byte1	Fault Action for channel 7		Fault Action for channel 6		Fault Action for channel 5		Fault Action for channel 4	
	00: Fault Value 01: Hold last state 10: Low Limit 11:High Limit							
Byte2	Fault Value Low Byte							
Byte3	Not used				Fault Value High Byte			